

### PRODUCT No. 4301-6

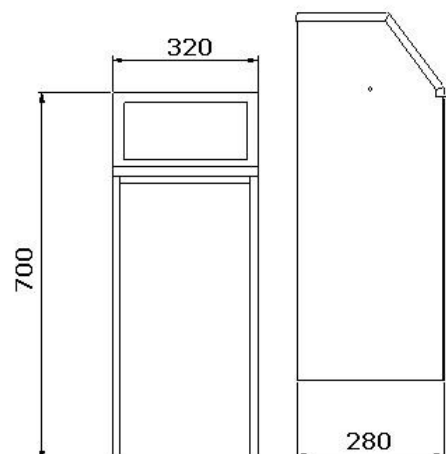
### Tipping waste bin for sorted waste – 40 l – Red



(Illustrative photograph)

#### Technical data

Material	Steel sheet
Capacity	40 l
Weight	11 kg
Opening (W x H)	+/- 255 x 145 mm
Doors (W x H)	+/- 280 x 510 mm
Width	320 mm
Depth	280 mm
Height	700 mm



#### Attributes

- Made of steel sheet.
- Tiltable front part facilitates subsequent manipulation with the waste.
- Tiltable part is equipped with a frame for attaching a polyethylene bag.
- Suitable for manufacture operations and offices.
- Bins can be connected together.

#### Color variations

- 4301-1 (Blue), 4301-2 (Green), 4301-4 (Yellow), 4301-6 (Red).

#### Product purpose

- Designed for indoor collection of waste.

#### Additions

- Bin can be installed individually.
- Bag can be ordered – type 5028.

