

PRODUCT No. 7146

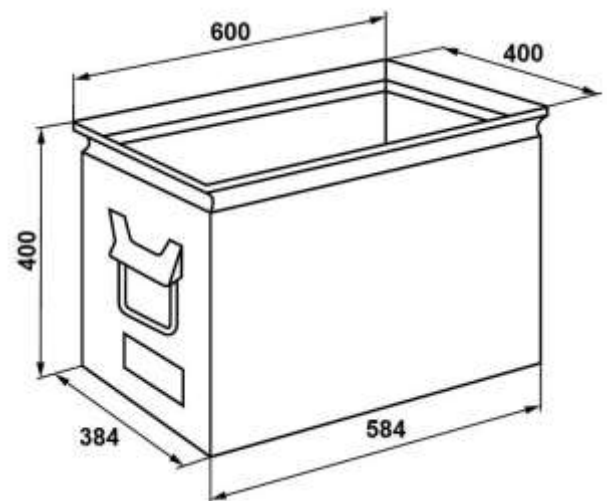
Flat storage box – 400 x 600 x 400 mm



(Illustrative photograph)

Technical data

| | |
|---------------|-------------|
| Material | Steel sheet |
| Capacity | 85,5 l |
| Weight | 9,6 kg |
| Load capacity | 100 kg |
| Width | 400 mm |
| Depth | 600 mm |
| Height | 400 mm |



Attributes

- Made of steel sheet.
- Chamfered boxes have handle bar instead of front grip.
- Suitable for storage areas, during assembly operations and internal-operation manipulation.
- Obtained with stacking system which enables storing in multi-layer storage.
- Surface finishing is made by powder paint coating.

Color variations

- Grey (RAL 7037).

Product purpose

- Designed for storing and transportation of common material.

Additions

- With a large purchase, a surface finishing by galvanization can be done.
- Can be delivered without surface finishing.