

PRODUCT No. 8756-R
ABROLL roller – 300 mm



(Illustrative photograph)

Technical data

Material	Steel
Width	10,5 kg
Roller width	300 mm
Diameter	159 mm
8756-R	Separate roller

Attributes

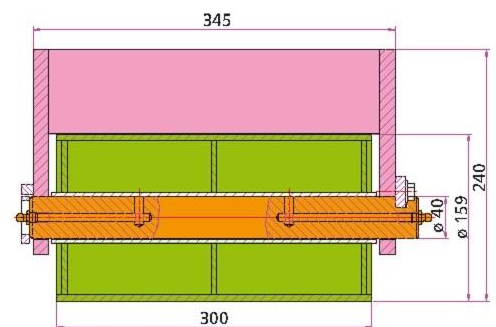
- Made of steel.
- Roller with 300 mm width for high capacity containers ABROLL.
- Rollers are placed on the back side of the container.
- Rollers enables manipulation with containers and their pulling on the transport vehicle.

Color variations

- According to RAL sampler.

Product purpose

- Designed for manipulation and enabling of pulling of high capacity container on the transport vehicle.



- Roller pin
- Roller
- Holder