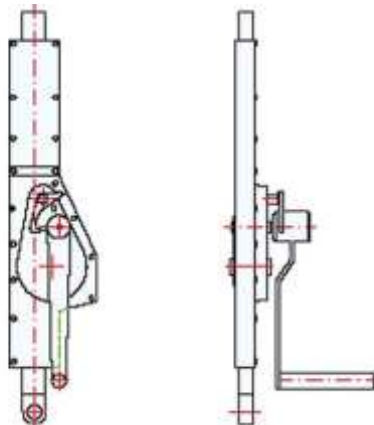


### PRODUCT No. 8841

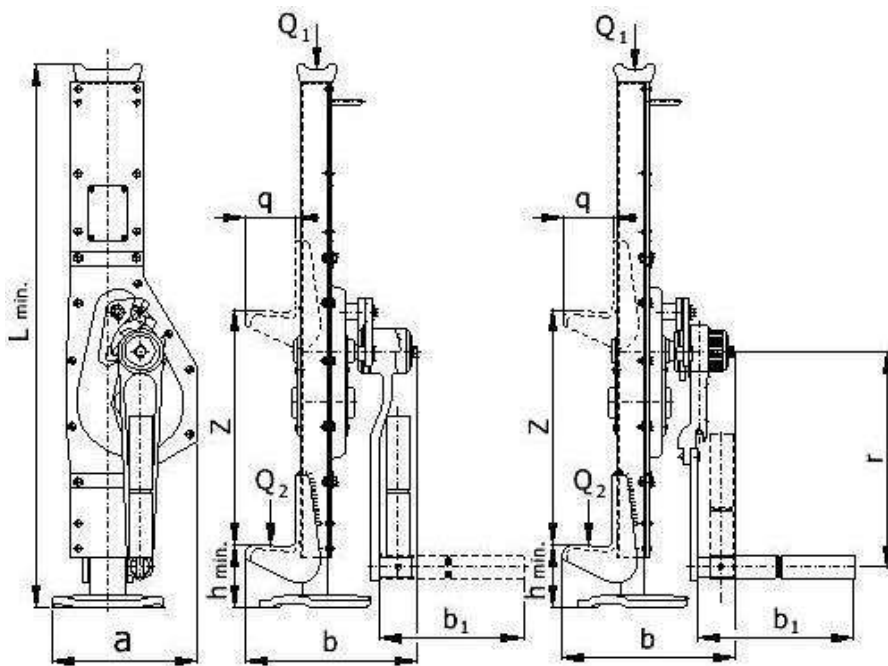
#### Jack 5 t



(Illustrative photograph)

#### Technical data

Material	Steel
Weight	22 kg
Load capacity	5 t
Drive force on lever	550 N
Operating temperature	-20/+50°C
Dimensions:	
a	200 mm
b	240 mm
b <sub>1</sub>	200 mm
q	70 mm
h <sub>min.</sub>	85 mm
L <sub>min.</sub>	765 mm
r	300 mm
Z	360 mm
Q <sub>1</sub>	5 t
Q <sub>2</sub>	3,5 t



#### Attributes

- Made of steel.
- The lifting capacity is 5 t.
- Used for lifting and handling loads of various kinds.
- Suitable for assembly operations of all kinds, especially in the building industry.
- It has a simple and robust construction.
- Lifting the load is done by turning the crank on the side.
- Reliably holds the load in any position with the brake integrated in the hand crank.
- The gear housing is fitted with a lubricating plug.
- The products meets the requirements of EN 1494.

#### Product purpose

- Designed for lifting and manipulation with loads of all kinds.