

PRODUCT No. 7238

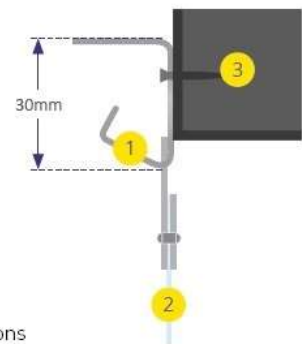
Belt curtain – standard



Lower suspension



Frontal suspension



Descriptions
 1. Stainless hook
 2. PVC curtain
 3. Doors frame, masonry

(Illustrative photograph)

Technical data

Material	PVC
Material thickness	2 mm
Temperature resistance	-15°C / +50°C
Width	300 mm
Winding	50 m

Attributes

- Made of Polyvinylchloride – Does not contain cadmium or silicone.
- PVC protection curtains are used for indoor and outdoor temperature partition of compartments.
- Curtains can be used to reduce noise level.
- Curtains have high transparency.
- Resistant to high amount of chemical substances.
- Resistant to abrasions and UV radiation.
- Standardly available in rolls with a length of 50 meters.
- A 300 mm wide mesh hanger is attached to the top of the slat and hangs on a hook of 984 mm length.

Product purpose

- Designed as a barrier against smoke, fumes, dust, insects or birds.

Additions

- Possibility of delivery of a transparent curtain for normal temperatures (type 7238) or cold storages (type 7239).
- Possibility to deliver a curtain to the areas where is welding happening, with higher mechanical resistance or colored.
- Hanging methods and overlapping capabilities of 35% overlap.