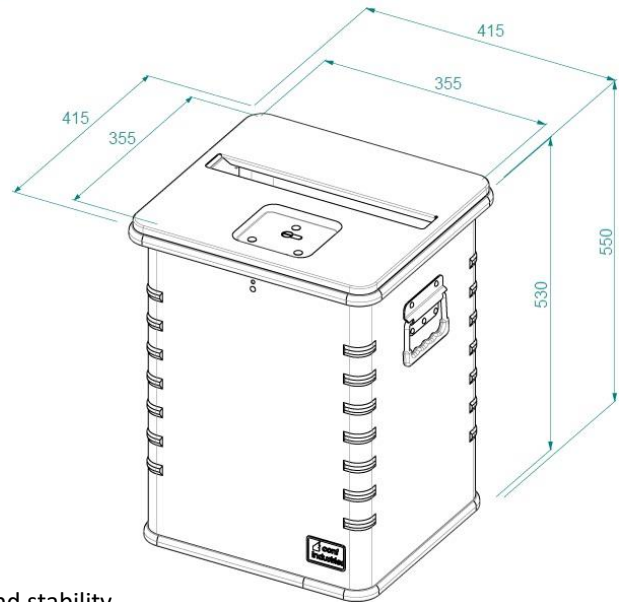


## PRODUCT No. 7282

### Container for shredding – 70 l



(Illustrative photograph)

#### Technical data

Material	Aluminium
Capacity	70 l
Weight	6 kg
Load capacity	approx. 40 kg
Width (inner/outer)	355 / 415 mm
Depth (inner/outer)	355 / 415 mm
Height (inner/outer)	530 / 550 mm

#### Attributes

- Aluminium container reinforced with ribs have high strength and stability.
- Equipped with two foldable handles for easier manipulation.
- Equipped with lockable hinged lid which is secured by a lever lock.
- The container is equipped with opening in the lid (325 x 32 mm) for easier inserting of documents.

#### Product purpose

- Designed to safely store documents and data racks for subsequent shredding.