

### PRODUCT No. 5604-2

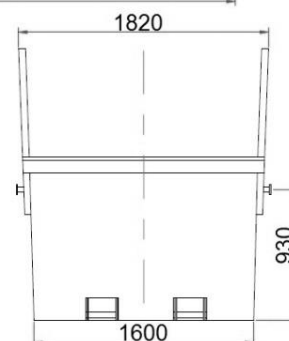
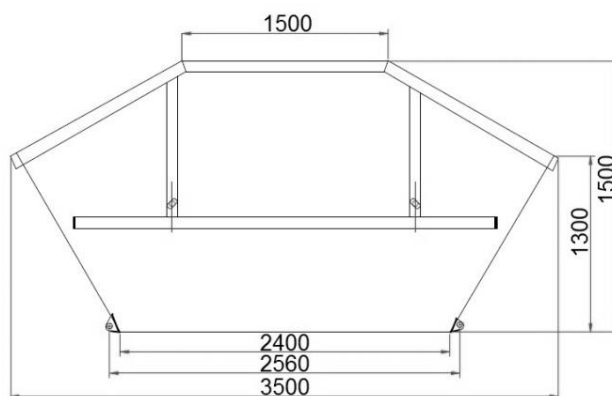
### Opened tube container – 7 m<sup>3</sup>



(Illustrative photograph)

#### Technical data

Material	Steel sheet
Mat. thickness (bottom/walls)	5/3 mm
Weight	615 kg
Capacity	7 m <sup>3</sup>
Width	1820 mm
Length	3500 mm
Height	1500 mm



#### Attributes

- Made of high-quality steel sheet with thickness 5 mm for bottom and 3 mm for sidewalls.
- Tube container with opened design without lids.
- The container may be equipped with spring-loaded lids with fasteners enabling locking.
- Surface finish – base and top layer of powder paint.
- Safety clamps on the bottom are manufactured in two options – West-European type and Czech type.
- Czech type – two lifting attachments side by side.
- West-European type – one lifting attachment.

#### Color variations

- According to RAL sampler.

#### Product purpose

- Designed for storage and transport of the municipal, industrial and other waste.

#### Additions

- When transporting the container, it must be secured against movement by safety clamps on the bottom.