

PRODUCT No. 5604-3

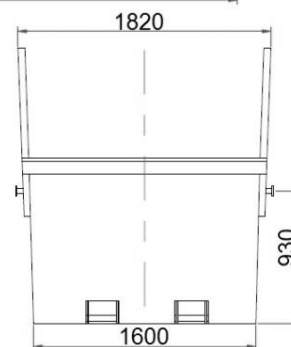
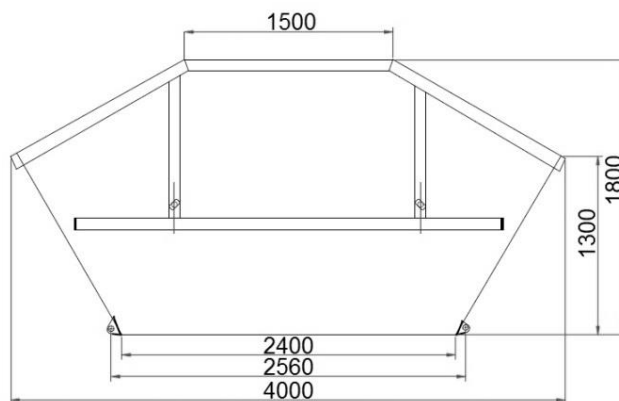
Opened tube container – 10 m³



(Illustrative photograph)

Technical data

| | |
|-------------------------------|-------------------|
| Material | Steel sheet |
| Mat. thickness (bottom/walls) | 5/3 mm |
| Weight | 670 kg |
| Capacity | 10 m ³ |
| Width | 1820 mm |
| Length | 4000 mm |
| Height | 1800 mm |



Attributes

- Made of high-quality steel sheet with thickness 5 mm for bottom and 3 mm for sidewalls.
- Tube container with opened design without lids.
- The container may be equipped with spring-loaded lids with fasteners enabling locking.
- Surface finish – base and top layer of powder paint.
- Safety clamps on the bottom are manufactured in two options – West-European type and Czech type.
- Czech type – two lifting attachments side by side.
- West-European type – one lifting attachment.

Color variations

- According to RAL sampler.

Product purpose

- Designed for storage and transport of the municipal, industrial and other waste.

Additions

- When transporting the container, it must be secured against movement by safety clamps on the bottom.