

### PRODUCT No. 4345-6

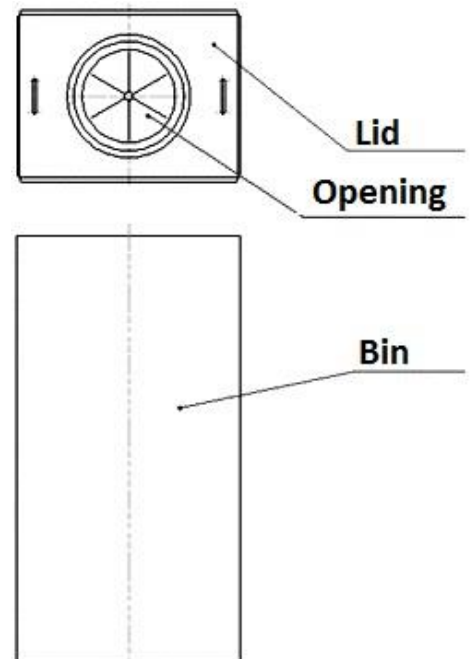
### Waste bins for sorted waste – red (Rounded opening)



(Illustrative photograph)

#### Technical data

Material (bin/opening)	Steel sheet/EPDM
Material thickness	0,7 mm
Capacity	100 l
Weight (approx.)	12 kg
Varnish thickness	50-80 µm
Width	400 mm
Depth	300 mm
Height	760 mm



#### Attributes

- Bin is made of steel sheet with thickness of 0,7 – 1 mm.
- Opening is made of EPDM elastomer.
- Equipped with a removable lid with matching opening.
- Suitable for waste sorting in office buildings, schools, etc.
- Bin can be equipped with stickers with appropriate type of waste figure.

#### Color variations

- 4345-1 (RAL 5002), 4345-2 (RAL 6029), 4345-4 (RAL 1033), 4345-6 (RAL 3000).

#### Product purpose

- Designed for collection of sorted waste indoors.

#### Additions

- Bag can be ordered – type 1077 (120 l).
- Stickers with appropriate type of waste can be ordered.

