

PRODUCT No. 6079-Z

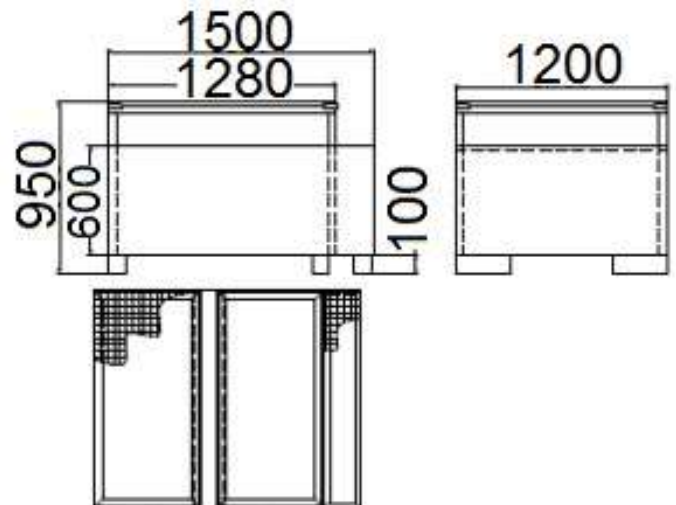
Hot-dip galvanized catching basin – for 1x 1000 l container



(Illustrative photograph)

Technical data

Material	Steel sheet
Sheet thickness	3 mm
Finishing (basin)	Hot-dip galvanized
Finishing (grate)	Hot-dip galvanized
Weight	196 kg
Load capacity	1500 kg
Capacity	1000 l
Width	1200 mm
Depth	1500 mm
Height	950/600 mm



Attributes

- Equipped with removable hot-dip galvanized grate.
- The basin is equipped for safe manipulation by means of fork-lift machinery.
- For safe storage of an IBC container with capacity of 1000 l.
- Equipped with lowered surface for containers, which are filled from an IBC containers.

Color variations

- Hot-dip galvanized.

Product purpose

- Designed for containment of unwanted leakages of liquids.