

PRODUCT No. 7000

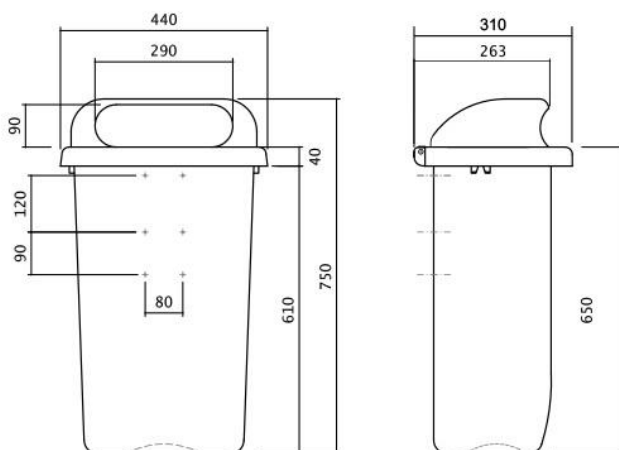
Plastic bin – 50 l



(Illustrative photograph)

Technical data

Material	Plastic (HDPE)
Capacity	50 l
Weight	5,5 kg (+/-5%)
Width	440 mm
Depth	310 mm
Height	750 mm
Opening height	650 mm



Attributes

- Made of plastic – Polyethylene with high density (HDPE).
- Bin is resistant to UV radiation, frost and wide range of chemicals.
- Metal parts are galvanized – resistant to corrosion.
- Bin can be mounted on a column or a wall.
- Equipped with metal sheet for taking out cigarettes.
- Equipped with universal lock.

Color variations

- 7000-1 (Blue), 7000-2 (Green), 7000-9 (Orange), 7000-2SV (Light green)

Product purpose

- Designed as a waste bin for placing outside.



Additions

- Hot-dip galvanized column can be ordered which is designed for placing in concrete – type 6999 (diam. 60 x H 1200 mm).
- Suitable bag can be ordered – type 3509.