

PRODUCT No. 3595

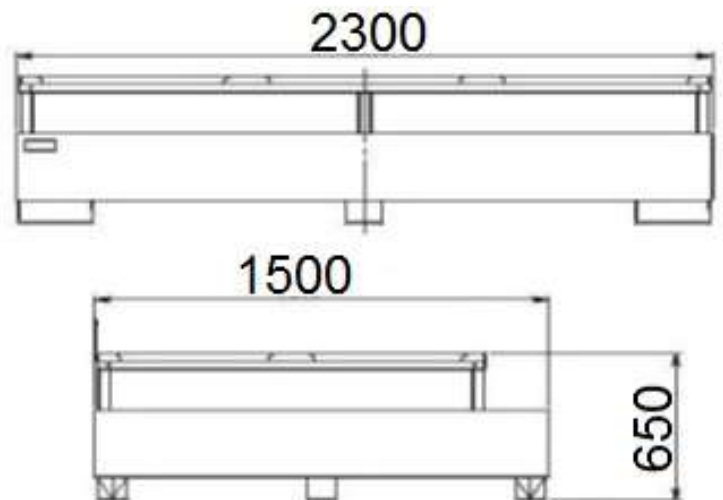
Catching basin – for 2x 1000 l container - varnished



(Illustrative photograph)

### Technical data

Material	Steel sheet
Sheet thickness	3 mm
Finishing (basin)	Varnished
Finishing (grate)	Hot-dip galvanized
Weight	257 kg
Load capacity	2500 kg
Capacity	1000 l
Width	2300 mm
Depth	1500 mm
Height	650 mm



### Attributes

- Equipped with removable hot-dip galvanized grate.
- The basin is equipped for safe manipulation by means of fork-lift machinery.
- For safe storage of 2x IBC containers with capacity of 1000 l.
- Equipped with lowered surface for containers, which are filled from an IBC containers.

### Color variations

- Standardly blue.

### Product purpose

- Designed for containment of unwanted leakages of liquids.