

PRODUCT No. 3829

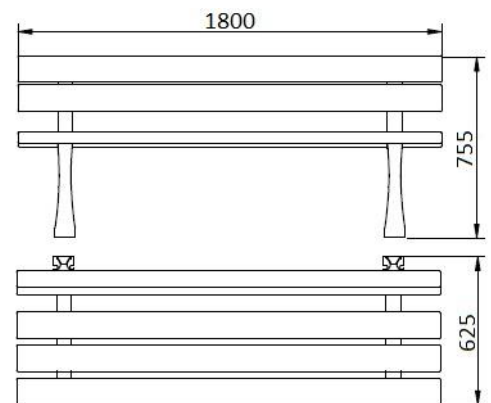
Park bench Bretana



(Illustrative photograph)

### Technical data

Material	Cast iron/tropical wood
Weight	43 kg
Dimensions of wood planks	110 x 30 mm (W x H)
Length	1800 mm
Depth	625 mm
Height (seat)	755 (435) mm



### Attributes

- Bench frame is made of cast iron, seat and backrest is made of tropical wood.
- The frame is coated with epoxy base layer and Polyester black powder upper layer varnish.
- The seat and backrest parts are made of 5x tropical wood planks with dimensions – Width x Height – 110 x 30 mm.
- The planks are coated with Lignus, fungicide, insecticide and waterproofing.
- The bench is resistant to weather influences.
- Can be anchored (anchoring to concrete pavement).

### Color variations

- Planks - Mahagon

### Product purpose

- Designed as a part of urban developments for a rest or public areas.

