

PRODUCT No. 0919

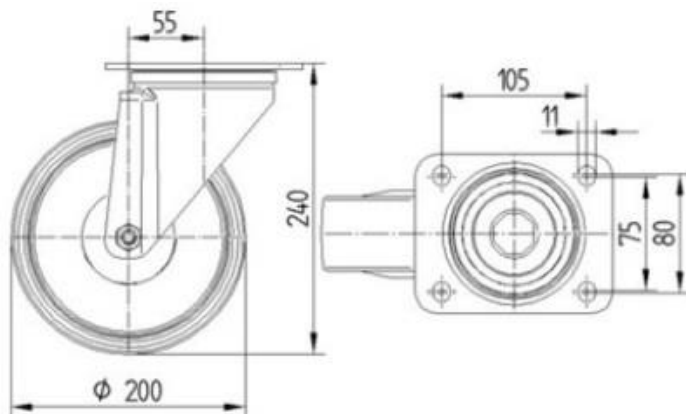
Turnable wheel – 200 mm



(Illustration photograph)

### Technical data

Material	Galvanized-steel/Rubber
Type	Turnable
Bearing	Needle bearing
Weight	3,2 kg
Load capacity (Dynamic/static)	205 / 410 kg
Temperature resistance	-20/+60°C
Thread width	50 mm
Wheel diameter	200 mm
Plate holes centres	105 x 80/75 mm
Plate size	137 x 105 mm
Height (total)	240 mm
Plate hole diameter	11 mm



### Attributes

- Made of pressed galvanized steel – forks. Wheel is made of rubber.
- Reinforced steel fork in galvanized surface finishing.
- Can be used in manufacturing industry – transport trolleys or in a construction industry for scaffolding, etc.
- In accordance with EN 12532 regulation – Pulleys and wheels for speeds up to 4 km/h.

### Product purpose

- Designed as transportation wheel.

### Additions

- Offered as – fixed, turnable and turnable with brake types.
- Offered in different sizes - with 80 mm to 200 mm wheel diameter.