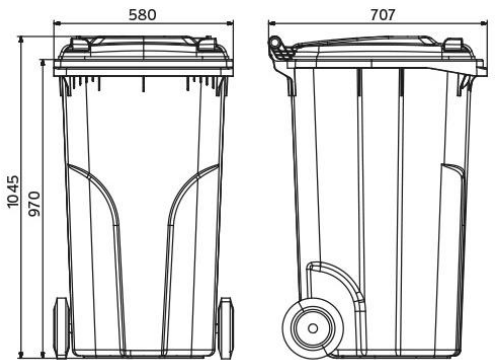


Plastic container with opening for plastic waste – 240 l
TYPE: F2B_3021_0000



Illustrational photograph

TECHNICAL DATA

Material	Plastic (HDPE)
Capacity	240 l
Weight	11 kg (± 5 %)
Max. weight	110 kg (± 5 %)
Load capacity	96 kg (± 5 %)
Wheel diameter	200 mm
Dimensions (W x D x H)	580 x 707 x 1045 mm

ATTRIBUTES

- Made of 100 % recyclable plastic high-density polyethylene (HDPE).
- Equipped with opening adjusted for separated waste – plastics (160-190 mm).
- Standardly delivered with two rubber wheels with plastic centres with 200 mm diameter.
- Wheels are supplied with metal axle.
- Manufactured in accordance of EN 840 regulation and certified according to RAL-GZ 951/1.
- Resistant to UV radiation, chemical and biological impacts or to frost.
- Smooth surfaces help against sticking of waste on them.
- Production materials does not contain any cadmium and can be granulated again.

COLOUR VARIATIONS

Yellow variation (for collecting plastics) – RAL-1018.

PRODUCT PURPOSE

Product is designed as collection container for municipal waste separation – modified for collection of plastics.

ADDITIONS

Lock for the lid can be ordered.
Not suitable for storing of hot ash.
Production material is recyclable.
Material does not contain cadmium.
Thermoprinted logo.