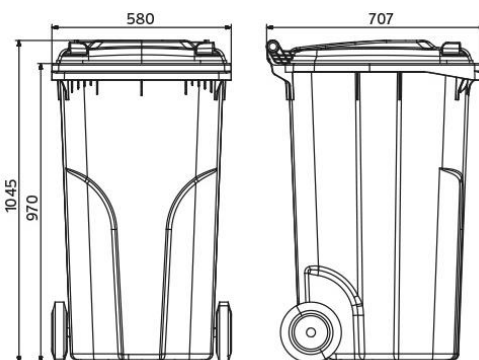


Plastic container with opening for paper waste – 240 l
TYPE: 3024



Illustrational photograph

TECHNICAL DATA

| | |
|------------------------|---------------------|
| Material | Plastic (HDPE) |
| Capacity | 240 l |
| Weight | 11,5 kg (± 5 %) |
| Max. weight | 110 kg (± 5 %) |
| Load capacity | 96 kg (± 5 %) |
| Wheel diameter | 200 mm |
| Dimensions (W x D x H) | 580 x 707 x 1045 mm |

ATTRIBUTES

- Made of 100 % recyclable plastic high-density polyethylene (HDPE).
- Equipped with opening adjusted for separated waste – paper.
- Standardly delivered with two rubber wheels with plastic centres with 200 mm diameter.
- Wheels are supplied with metal axle.
- Manufactured in accordance of EN 840 regulation and certified according to RAL-GZ 951/1.
- Resistant to UV radiation, chemical and biological impacts or to frost.
- Smooth surfaces help against sticking of waste on them.
- Production materials does not contain any cadmium and can be granulated again.

COLOUR VARIATIONS

Blue variation (for collecting paper) – RAL-5003.

PRODUCT PURPOSE

Product is designed as collection container for municipal waste separation – modified for collection of paper.

ADDITIONS

Lock for the lid can be ordered.
 Not suitable for storing of hot ash.
 Production material is recyclable.
 Material does not contain cadmium.
 Thermoprinted logo.

