

PRODUCT No. 0003

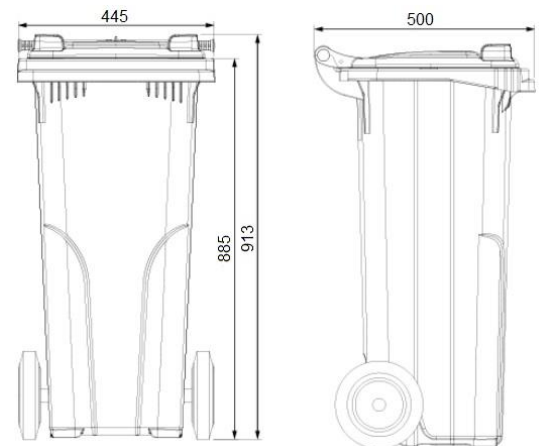
Plastic container – 80 l



(Illustration photograph)

Technical data

Material	Plastic (HDPE)
Capacity	80 l
Weight	6,7 kg (+/- 5 %)
Max. weight	50 kg (+/- 5%)
Load capacity	32 kg (+/- 5%)
Rubber wheels	200 mm
Width	445 mm
Depth (max.)	500 mm
Height	913 mm



Attributes

- Made of high density Polyethylene (HDPE).
- Standardly delivered with two rubber wheels – 200 mm diameter.
- In agreement with EN 840 regulation.
- Resistant to UV radiation, chemical and biological impacts or to frost.
- Smooth surfaces helps against sticking of waste on them.
- Production materials does not contain any cadmium and can be granulated again.

Color variations

- 0003-2 (Green RAL-6002), 0003-3 (Black RAL-7016).

Product purpose

- Designed for collecting of municipal and industry waste.

Additions

- Not suitable for storing of hot ash.
- Production material is recyclable.
- Material does not contain cadmium.
- Thermoprinted logo.