

### PRODUCT No. 3116

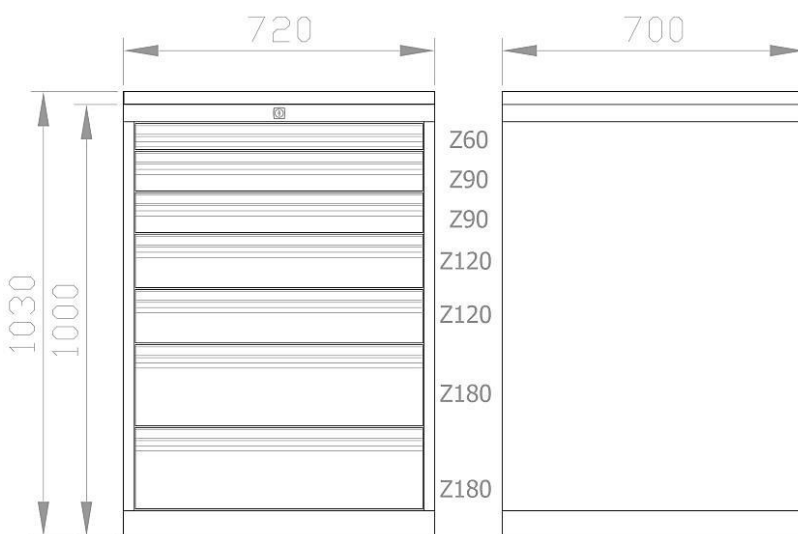
### Workshop cabinet – 7x drawer



(Illustrative photograph)

#### Technical data

Material	Steel
Weight	117,2 kg
Load capacity (drawer/body)	80 / 300 kg
No. of drawers	7 pcs
Width	720 mm
Depth	700 mm
Height	1030 mm



#### Attributes

- Made of steel sheet.
- Upper storage area is equipped with a grooved rubber mat.
- Cabinet is equipped with a central lock and blocking preventing from multiple drawers sliding out.
- Drawer heads are designed for the insertion of description bars.
- Drawers are designed for the use of drawer dividers / partitions (dividers are not part of the product).

#### Color variations

- Body / drawer – grey (RAL 7035) / blue (RAL 5012).

#### Product purpose

- Designed for storage of tools in workshops.