

PRODUCT No. 4038

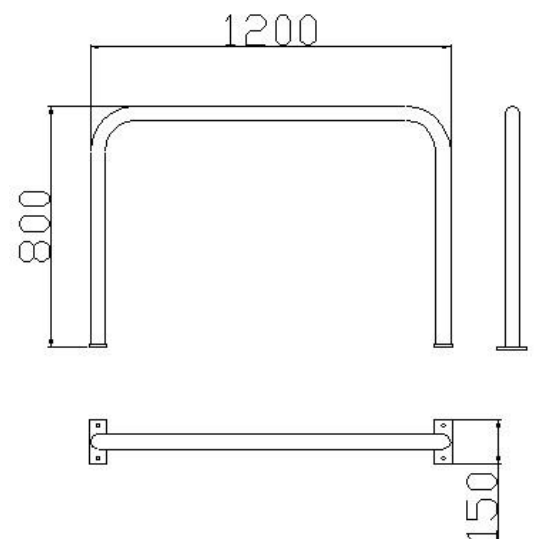
Fixed barrier – large



(Illustrative photograph)

Technical data

Material	Steel
Steel sheet thickness	5 mm
Weight	15 kg
Tube (diameter)	48,3 x 2,9 mm
Width	1200 mm
Depth	150 mm
Height	800 mm



Attributes

- Made of steel sheet with 5 mm thickness.
- Surface finishing is made by hot-dip galvanizing.
- Designed for permanent fencing of parking lots areas, greenery or roads.
- Design enables concreting or fixing by screws into surface (equipped with feet with holes).

Product purpose

- Designed for fencing of determined area.