

PRODUCT No. 4236

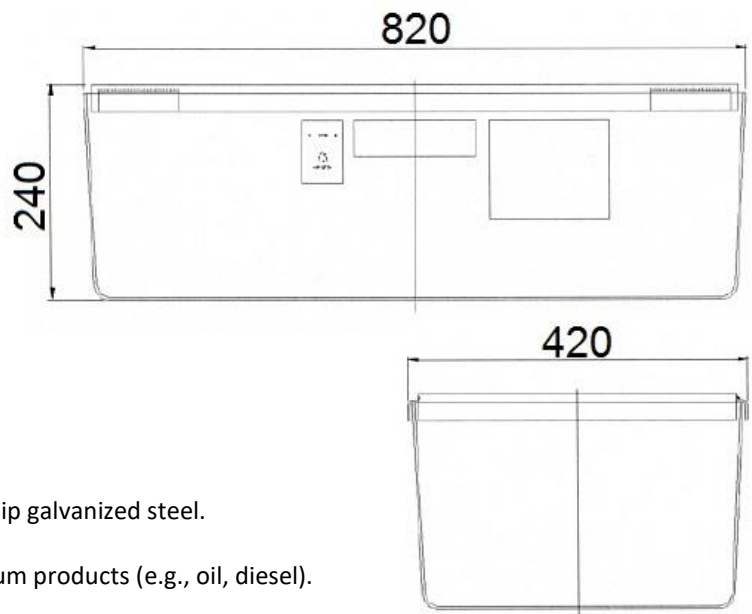
Fiberglass laminate catching basin – small 65 l



(Illustrative photograph)

Technical data

Material (basin/grate)	Fiberglass/steel
Capacity	65 l
Weight	9,5 kg
Load capacity	40 kg
Medium max. temp.	40 °C
Width	820 mm
Depth	420 mm
Height	240 mm



Attributes

- Made of high-quality fiberglass laminate and hot-dip galvanized steel.
- Absolute resistance to corrosion.
- Resistant to the majority of chemicals and petroleum products (e.g., oil, diesel).
- Light weight design.
- High stability of fiberglass laminate at extreme changes of temperatures.
- Equipped with hot-dip galvanized grate.

Color variations

- Standardly grey.

Product purpose

- Designed for storing of substances which are not hazardous to water or for uses for which no approval is required.