

PRODUCT No. 4377

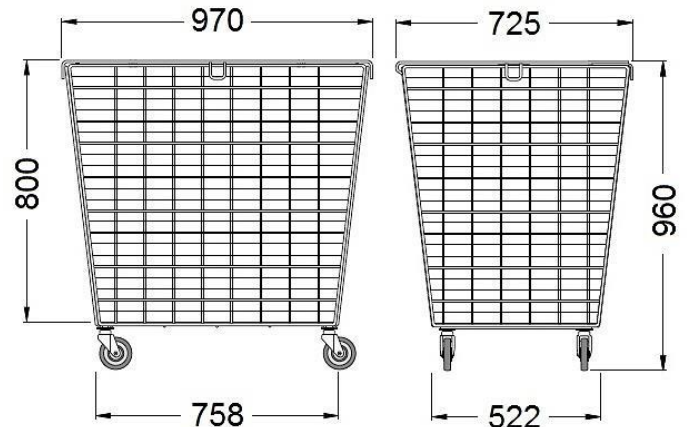
Mobile transport basket FT 300



(Illustrative photograph)

Technical data

Material	Steel
Capacity	280 l
Weight	20 kg
Extension load capacity	150 kg
Wheels	4x
Wheel diameter	100 mm
Mesh	35 x 90 mm
Width	970 mm
Depth	725 mm
Height (with pallet)	960 mm



Attributes

- Made of high-quality steel.
- Low weight and high-quality galvanized surface finishing.
- Possibility of stacking when storing or transporting empty baskets.
- Cone design with high load capacity.
- The basket is equipped with 100 mm diameter swivel wheels.
- Equipped with a removable mesh lid.

Product purpose

- Designed for storage, delivery, presentation and transportation of goods in commercial areas.

