



PRODUCT No. 4694

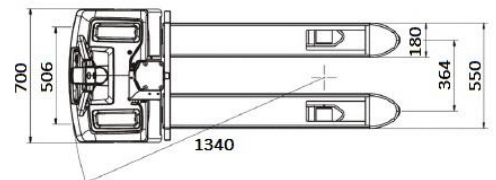
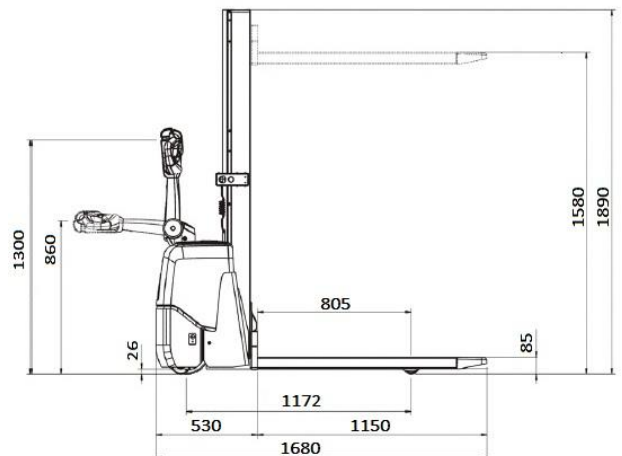
Electric manually handled high-lift truck – 1000 kg



(Illustration photograph)

Technical data

Material	Metal/plastic/PU
Weight (without battery)	420 kg
Weight (battery)	2 x 23 kg
Load capacity	1000 kg
Moving speed (kmph - w/wo)	4,3/5,4
Wheels (drive/turnable/forks)	PU/PU/PU
Operational/parking brake	Electromagnetic
Battery capacity	63 Ah
Battery voltage	2 x 12 V
Control lever max. turn. angle	95°
Width (total/fork)	700/180 mm
Depth (total/fork)	1680/1150 mm
Height (lift/min./max.)	1495/85/1580 mm
Height	1890 mm
Height (total/folded)	1300/860 mm



Attributes

- Manually handled battery-powered trucks which are ideal version for retailers, smaller repair shops, etc.
- Suitable for areas with flat floors.
- It can be used as an electric stacker for handling in storec, lifting lighter loads.
- Low weight and small dimensions – easier handling in cramped areas.
- Equipped with a built-in charger with maintenance-free gel batteries. The truck can be used as a work table.
- Equipped with a Simplex pole with a lifting height of 1580 mm.

Product purpose

- Designed for transportation of large amount of goods/material on pallets.