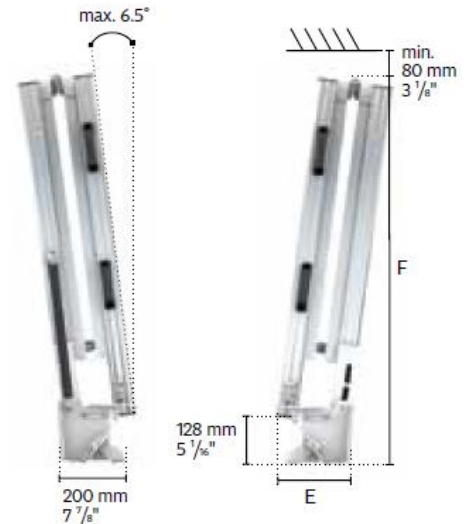


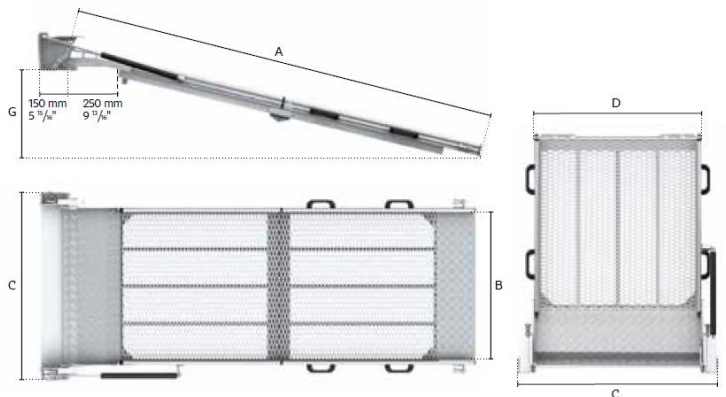
Foldable aluminium ramp – 450 x 800 mm
TYPE: F4J_3779_0000



Illustrational photograph

TECHNICAL DATA

Material	Aluminium
Weight	30 kg
Load capacity	400 kg
Max. elevation	450 mm
Length (A)	2253 mm
Internal width (B)	800 mm
Bottom width (C)	1005 mm
Top width (D)	840 mm
Mounting depth (E)	255 mm
Height of folded ramp (F)	1222 mm
Mounting height (G) min. and max. usable sloping angle	350 / 600 mm



ATTRIBUTES

- Made of aluminium.
- Ideal solution for loading operation or barrier-free access.
- Especially for construction or logistics companies.
- Portable ramps offer efficient solutions with maximum safety and easy installation.
- The ramp is placed in the vehicle during transportation in a vertical position.
- The ramp is anchored to the vehicle's floor by a pair of clamps to allow easy assembly / disassembly without tools.
- Equipped with safety belts designed to provide a vertical position of the ramp during transportation.
- Equipped with rubber silent blocks to prevent the effects of shocks and vibrations during driving.
- Equipped with plastic handles for easy handling.
- Simple operation – handled by at least 1 person – low effort needed due to gas strut.
- Unfolding is done by unfastening the safety belts and unlocking the latches.
- Front and side crash test at 20G.

PRODUCT PURPOSE

Product is designed for loading operations or for wheelchair access.