

### PRODUCT No. 6075

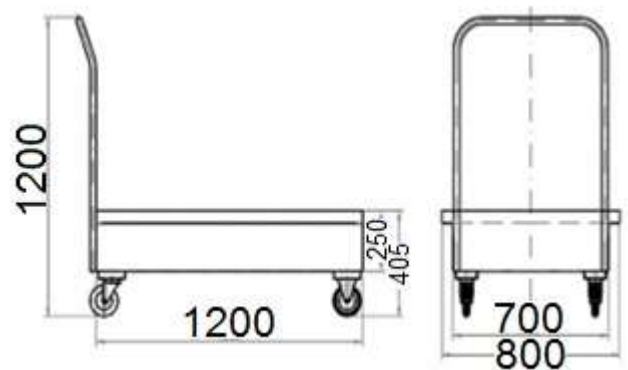
### Mobile catching basin with grate – varnished



(Illustrative photograph)

#### Technical data

|                           |                    |
|---------------------------|--------------------|
| Material                  | Steel sheet        |
| Sheet thickness           | 3 mm               |
| Surface finishing (basin) | Varnished - Blue   |
| Surface finishing (grate) | Hot-dip galvanized |
| Heavy duty wheels         | 125 mm             |
| Weight                    | 74 kg              |
| Load capacity             | 600 kg             |
| Capacity                  | 220 l              |
| Width                     | 1200 mm            |
| Depth                     | 800 mm             |
| Height                    | 405/1200 mm        |



#### Attributes

- Mobile catching basin for transportation of 2x 200 l barrels.
- Equipped with a grate for easier manipulation with barrels.
- Equipped with heavy duty wheels (2x fixed, 2x turnable with brakes) – type 6002-1/6013-1.

#### Color variations

- Basin – varnished (Blue), Grate – Hot-dip galvanized.

#### Product purpose

- Designed for containment of unwanted leakage of liquids and transportation for shorter distances.