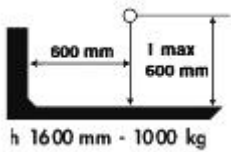


PRODUCT No. 6105

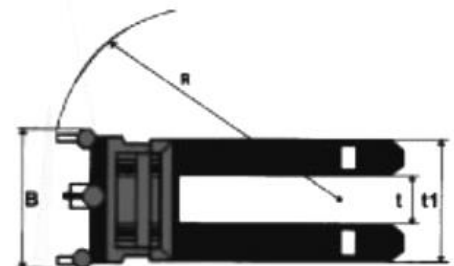
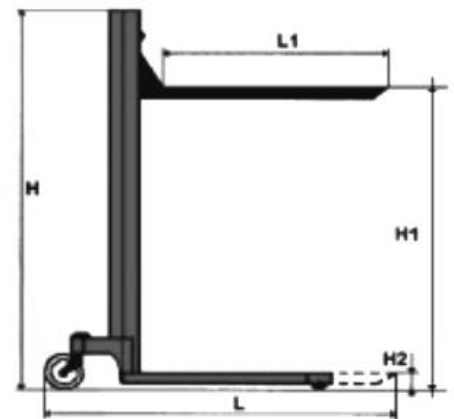
Fork-lift truck – manually operated



(Illustrative photograph)

Technical data

Material	Steel
Weight	310 kg
Load capacity	1000 kg
B	810 mm
H	1990 mm
H1 (max.)	1600 mm
H2	90 mm
L	1830 mm
L1	1180 mm
t	220 mm
t1	540 mm
R	2500 mm
Wheels (front/back)	82x80 (FE)/200x50 mm (AL/PU)



Attributes

- Made of steel material.
- Designed for handling pallets (EURO 800 x 1200 mm type), transport platforms or other means.
- Observe load placement on forks – max. distance of center of gravity from support plate 600 mm.
- The load must have height of picking holes of 99 mm and minimum width of 509 mm.
- When lifting the load, the truck must be secured against movement by brake or wedge.
- Handle the truck only on sturdy and horizontal leveled surfaces without debris and obstructions.
- The manufacturer's recommended operating temperature is from + 5°C to + 35°C.
- Easy manipulation of the truck is subjected to a sturdy, leveled floor.

Color variations

- Standardly red-black.

Product purpose

- Designed for manipulation with pallets, platforms and other means.