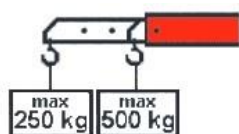


PRODUCT No. 6442

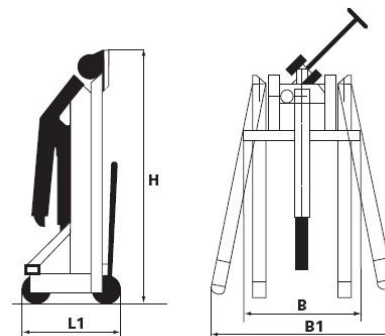
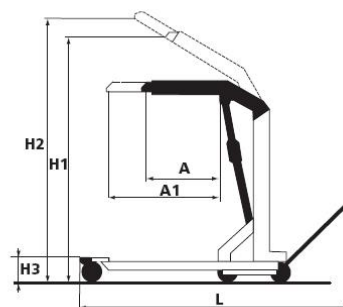
Workshop crane – 500 kg



(Illustrative photograph)

Technical data

Load capacity (Tucked/extended)	500/250 kg
Weight	95 kg
A	800 mm
A1	1310 mm
B	530 mm
B1	950 mm
H	1630 mm
H1	2150 mm
H2	2500 mm
H3	165 mm
L	1600 mm
L1	630 mm



Attributes

- Manual hydraulic crane ease handling with heavy burdens.
- Provides higher level of work safety.
- Two adjustable positions of crane arm.
- Four wheels – easy manipulation with the crane.
- Crane is foldable – in case of transportation.
- Use on flat and sturdy surfaces without any other objects only.

Product purpose

- Generally designed for lifting loads, transporting loads on the triggered load arm, technology moving, etc.

