

PRODUCT No. 6147

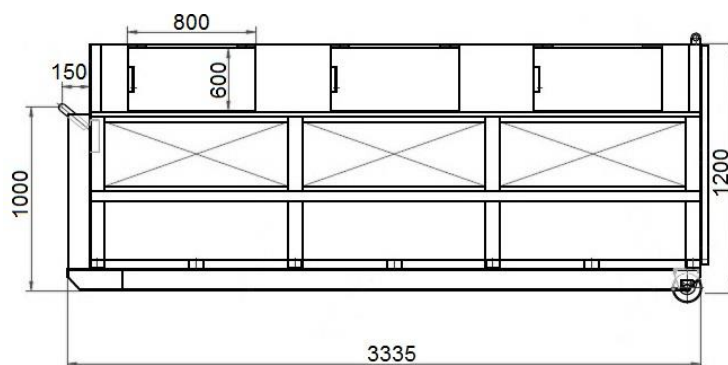
High-capacity AVIA container – with upper lids/hook and rope – 6,2 m³



(Illustrative photograph)

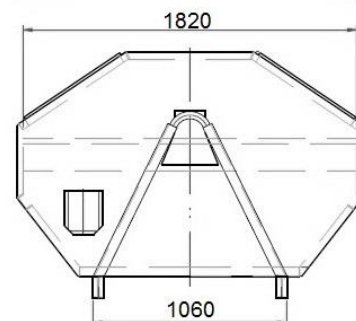
Technical data

Material	Steel sheet
Material thickness (bottom/walls)	3/2 mm
Weight	830 kg
Capacity	6,2 m ³
Hook height	1000 mm
Length (inner)	3335 mm
Width (inner)	1820 mm
Height (inner)	1200 mm



Attributes

- Made of steel sheet.
- The container is manufactured in closed design with lids on top.
- The size of the lids prevents throwing of too large objects.
- Can be delivered with a central locking of lids on both sides.
- The bevelled bottom increases the strength of the structure.
- Equipped for hook-up / rope pulling and with rollers.
- Delivered with a hinged front door.
- Surface finish by varnishing – 1x base layer, 1x top layer.



Color variations

- According to RAL sampler.

Product purpose

- Designed mainly for the collection of solid household waste in urban areas, housing projects and places with small amount of or no waste collection.

Additions

- Also produced in different dimensions.
- Before hook-up pulling the container, it is important to check the locking elements, rollers, door locking system including central door lock (operator from the side), roof and damper when installed. All lids, flaps and doors must be properly closed. The tilting net has to be properly secured.