

PRODUCT No. 6162

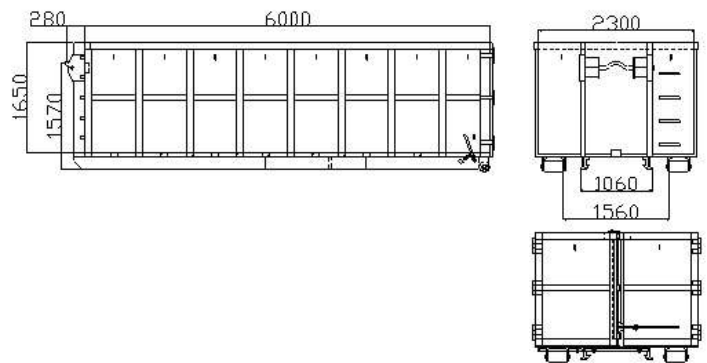
High-capacity ABROLL container – 23 m³



(Illustrative photograph)

Technical data

Material	Steel sheet
Material thickness (bottom/walls)	5/3 mm
Weight	2392 kg
Load capacity	15 000 kg
Capacity	23 m ³
Hook height	1570 mm
Length (inner)	6000 mm
Width (inner)	2300 mm
Height (inner)	1650 mm



Attributes

- Made of steel sheet, according to DIN 30 722.
- Made in design with full sidewalls, connection to bottom in 90° or 45° angle.
- Container is equipped with holders for the tilt or net – around the container.
- Delivered in version with double wing or front hinged doors.
- Equipped with rollers for easier manipulation.
- Equipped for hook-up pulling.
- Can be equipped with a ladder on the wall behind the driver.
- Surface finish by varnishing – 1x base layer, 1x top layer.



Color variations

- According to RAL sampler.

Product purpose

- Designed mainly for transportation of loose materials and solid wastes.



Additions

- Also produced in different dimensions.
- Before hook-up pulling the container, it is important to check the locking elements, rollers, door locking system including central door lock (operator from the side), roof and damper when installed. All lids, flaps and doors must be properly closed. The tilt or net has to be properly secured.