

PRODUCT No. 5603-1

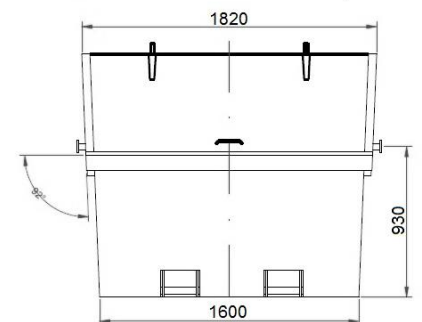
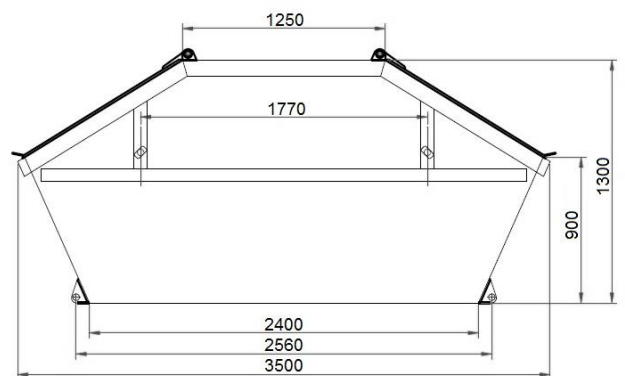
Tube container with spring loaded lids – 5,5 m³



(Illustrative photograph)

Technical data

Material	Steel sheet
Mat. thickness (bottom/walls)	5/3 mm
Capacity	5,5 m ³
Load capacity	7000 kg
Width	1820 mm
Length	3500 mm
Height	1300 mm



Attributes

- Made of high-quality steel sheet.
- The lids are equipped with a handle and a locking buckle.
- After unlocking, the lid is lifted by itself – relieved by a spring mechanism.
- Equipped with a chain for easy pulling of the lid.
- Surface finish – base and top layer of powder paint.
- Safety clamps on the bottom are manufactured in two options – West-European type and Czech type.
- Czech type – two lifting attachments side by side / West-European type – one lifting attachment.

Color variations

- According to RAL sampler.

Product purpose

- Designed for storage and transport of the municipal, industrial and other waste.

Additions

- When transporting the container, it must be secured against movement by safety clamps on the bottom.