

### PRODUCT No. 6358

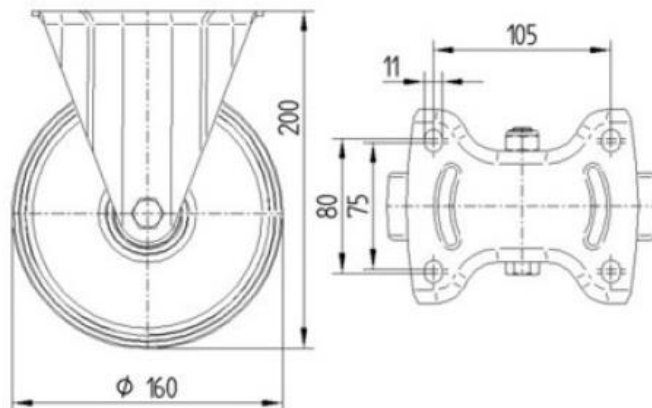
### Fixed polyamide transport wheel – 160 mm



(Illustration photograph)

#### Technical data

Material	Galvanized-steel/Polyamide
Type	Fixed
Bearing	Sliding bearing
Weight	1,35 kg
Load capacity (Dynamic/static)	350 / 700 kg
Temperature resistance	-40/+80°C
Thread width	40 mm
Wheel diameter	160 mm
Plate holes centres	80/75 x 105 mm
Plate size	137 x 115 mm
Height (total)	200 mm
Plate hole diameter	11 mm



#### Attributes

- Made of pressed galvanized steel – forks. Wheel is made of polyamide.
- Reinforced steel fork in galvanized surface finishing.
- Can be used with wide range of manipulation means on smooth surfaces.
- The advantage of this wheel is higher load capacity.
- In accordance with EN 12532 regulation – Pulleys and wheels for speeds up to 4 km/h.

#### Product purpose

- Designed as transportation wheel.

#### Additions

- Offered as – fixed, turnable and turnable with brake types.
- Offered in different sizes - with 80 mm to 200 mm wheel diameter.