

PRODUCT No. 6362

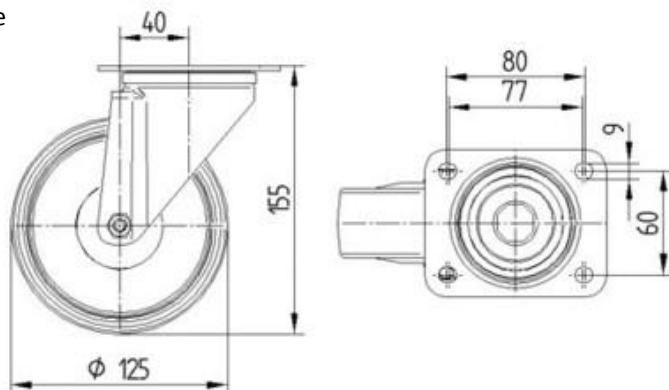
Turnable polyamide transport wheel – 125 mm



(Illustration photograph)

Technical data

Material	Galvanized-steel/Polyamide
Type	Turnable
Bearing	Sliding bearing
Weight	0,88 kg
Load capacity (Dynamic/static)	275 / 550 kg
Temperature resistance	-40/+80°C
Thread width	40 mm
Wheel diameter	125 mm
Plate holes centres	80/77 x 60 mm
Plate size	105 x 85 mm
Height (total)	155 mm
Plate hole diameter	9 mm



Attributes

- Made of pressed galvanized steel – forks. Wheel is made of polyamide.
- Reinforced steel fork in galvanized surface finishing.
- Can be used with wide range of manipulation means on smooth surfaces.
- The advantage of this wheel is higher load capacity.
- In accordance with EN 12532 regulation – Pulleys and wheels for speeds up to 4 km/h.

Product purpose

- Designed as transportation wheel.

Additions

- Offered as – fixed, turnable and turnable with brake types.
- Offered in different sizes - with 80 mm to 200 mm wheel diameter.