

PRODUCT No. 3559-13

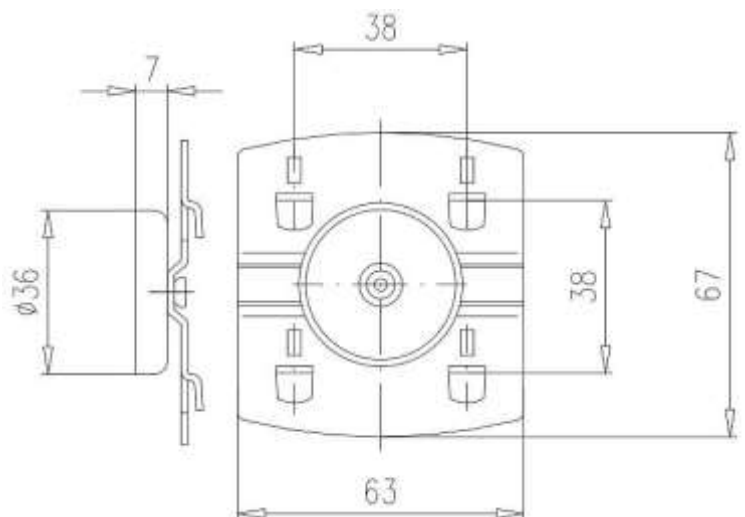
Magnetic holder



(Illustrative photograph)

Technical data

Material	Steel
Weight	0,5 kg
Package	5 pcs
Average magnet force	75 N
Width	63 mm
Height	67 mm



Attributes

- Made of steel.
- Possible to use for easy and safe storage of tools, plastic trays and other parts.
- Holders are hanging on a Q-system panels, perforated wall cabinets, tables or service trolleys.
- Surface finishing is made by galvanization.

Product purpose

- Designed for hanging into perforations for easy and safe storage of tools.