

### PRODUCT No. 6501

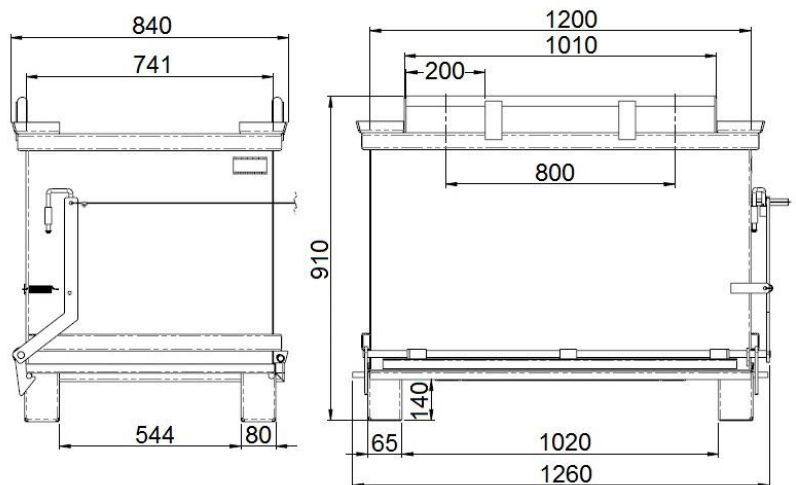
### Container with tiltable bottom – 600 l



(Illustration photograph)

#### Technical data

Material	Steel sheet
Material thickness (walls / bottom)	3 mm
Weight	115 kg
Capacity	600 l
Load capacity	500 kg
Length (outer/inner)	1260/1135 mm
Width (outer/inner)	840/735 mm
Height (outer/inner)	910/710 mm



#### Attributes

- Made of steel sheet.
- Special container with tiltable bottom.
- Robust design which secures sufficient strength.
- Disconnecting the bottom by means of a cable can be carried out from the VZV driver's seat.
- Re-closing the bottom can be made by cautious placing the container on ground (the bottom is automatically secured).
- Manipulation with container – by fork-lift or crane is possible because of four meshes.
- Surface finishing is made by base layer and top layer varnishing.

#### Product purpose

- Designed for collection of usual waste.