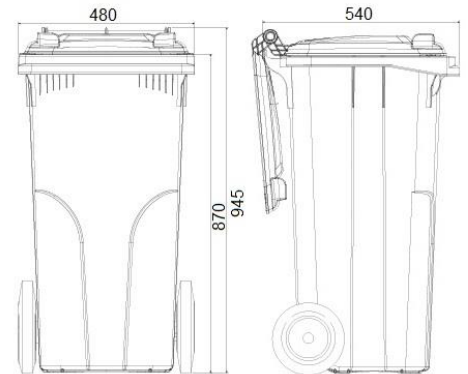


Plastic container – 120 l  
TYPE: 0004



Illustrational photograph

### TECHNICAL DATA

|                        |                    |
|------------------------|--------------------|
| Material               | Plastic (HDPE)     |
| Capacity               | 120 l              |
| Weight                 | 7,5 kg (± 5 %)     |
| Max. weight            | 60 kg (± 5 %)      |
| Load capacity          | 48 kg (± 5 %)      |
| Wheel diameter         | 200 mm             |
| Dimensions (W x D x H) | 480 x 540 x 945 mm |

### ATTRIBUTES

- Made of 100 % recyclable plastic high-density polyethylene (HDPE).
- Standardly delivered with two rubber wheels with plastic centres with 200 mm diameter.
- Wheels are supplied with metal axle.
- Manufactured in accordance of EN 840 regulation and certified according to RAL-GZ 951/1.
- Plastic container can be delivered in version with coloured clips on the lid.
- Resistant to UV radiation, chemical and biological impacts or to frost.
- Smooth surfaces help against sticking of waste on them.
- Production materials does not contain any cadmium and can be granulated again.

### COLOUR VARIATIONS

0004-1 (Blue RAL 5003), 0004-2 (Green RAL-6002), 0004-3 (Black RAL-7016), 0004-4 (Yellow RAL-1018), 0004-5 (Brown RAL 8028), 0004-6 (Red RAL-3013).

### PRODUCT PURPOSE

Product is designed as collection container for municipal waste separation.

### ADDITIONS

Not suitable for storing of hot ash.  
Production material is recyclable.  
Material does not contain cadmium.  
Thermoprinted logo.

