

PRODUCT No. 0017-2

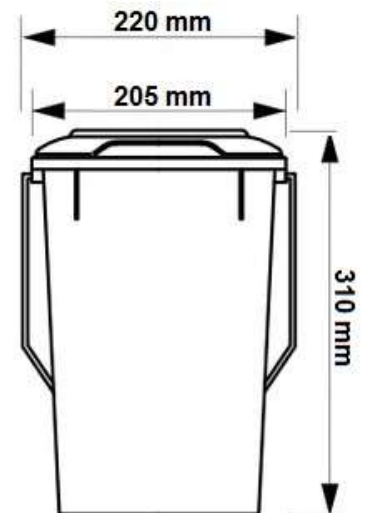
Container KSB for sorted waste – 10 l – Green



(Illustrative photograph)

Technical data

Material	Polyethylene (HDPE)
Capacity	10 l
Weight	0,7 kg (+/- 5%)
Max. possible load	4 kg (+/- 5%)
Width	220 mm
Depth	280 mm
Height	310 mm



Attributes

- Made of durable high density polyethylene (HDPE) plastic.
- Stand-alone waste bin.
- Equipped with a corrosion-resistant metal holder – galvanized.
- Durable product with smooth surfaces – easy cleaning.
- Waste bin is resistant to chemical and biological influences and UV radiation.
- Offered with different colors – easier to distinguish the type of waste.

Color variations

- 0017-1 (Blue), 0017-2 (Green), 0017-4 (Yellow), 0017-5 (Brown).

Product purpose

- Designed for collecting of sorted waste in households, offices, schools, etc.

Additions

- Bag can be ordered – type 5026.