

### PRODUCT No. 6743

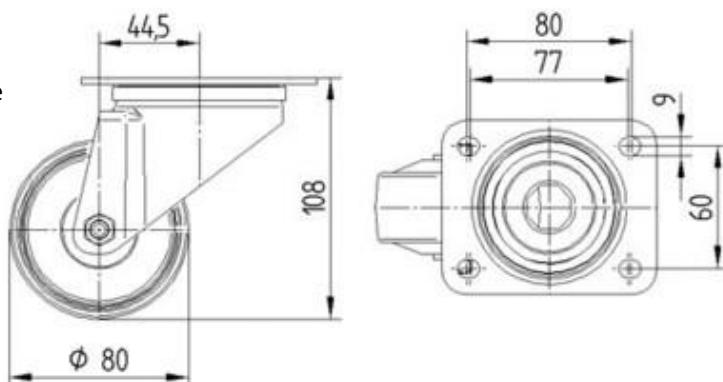
### Turnable temperature resistant wheel – 80 mm



(Illustration photograph)

#### Technical data

Material	Stainless steel
Type	Turnable
Bearing	Self-greasing cartridge
Weight	0,7 kg
Load capacity (Dynamic/static)	100 / 200 kg
Temperature resistance	-40/+280°C
Thread width	35 mm
Wheel diameter	80 mm
Plate holes centres	80/77 x 60 mm
Plate size	105 x 85 mm
Height (total)	108 mm
Plate hole diameter	9 mm



#### Attributes

- Wheel is made of temperature resistant synthetic material.
- Fork is made of stainless steel, double ball track in turnable head of wheel. Fixation by plate.
- Temperature stability from -40°C to +280°C.
- Used especially in bakery for trolleys for furnaces but also there where are high requirements on temperature durability.
- In accordance with EN 12532 regulation – Pulleys and wheels for speeds up to 4 km/h.

#### Product purpose

- Designed as wheel for high requirements on temperature resistance.