

PRODUCT No. 4275-AP

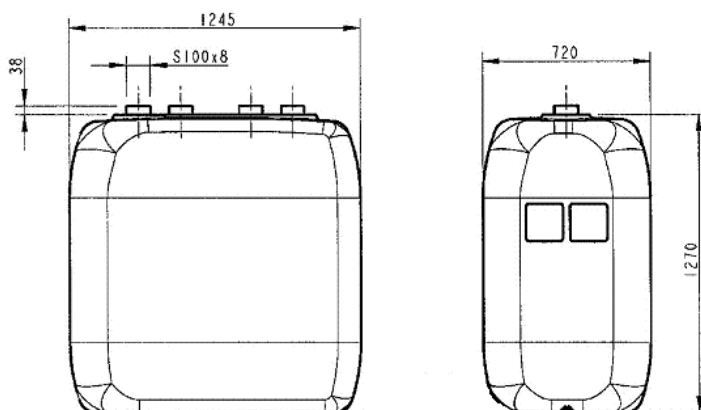
Filling station UNI 1000 I with an automatic nozzle – without a flowmeter



(Illustration photograph)

Technical data

Material (Tank/Cover)	Polyethylene (PE)/Galvanized sheet
Capacity	1000 l
Weight	92 kg
Width	770 mm
Depth	1280 mm
Height	1420 mm
Pump:	
Noise level	70 dB (A)
Pumped liquid temperature	-10/+35°C
Protection	IP 44
Output (approx.)	30 l/min



Attributes

- Container is made of Polyethylene. Container is covered by cover made of galvanized sheet, functions as catching basin.
- Equipped with metal pallet which enables manipulation by pallet of a fork-lift truck.
- Filling station is certificated for placing indoors.

Equipment: electric pump (230V – 30 l/min), automatic dispensing nozzle, hose (length 6m), liquid level indicator, integrated handles, power cable (2 m), suction hose (1,5 m), barrel threads (M64x4 and G2“).

Description: The tank is packed in a shock-resistant housing made of reusable material and shrinking wrap for its own protection during the transportation. A liquid level indicator is located on the side of the tank. It is equipped with a leak detection probe. The pedestal is mounted firmly.

(!) Remove the cover at the installation site only.

(!) Instruction and permissions are placed by the manufacturer in the tank throat.

Product purpose

- The tank and the pump are exclusively designed for pumping of diesel and heating oil – Hazard class AIII.

Additions

- The flowmeter K 24 can be ordered – type 4276.
- To obtain a suction hose, shorten the hose of 6 m length by cutting a piece of 1,5 m long.