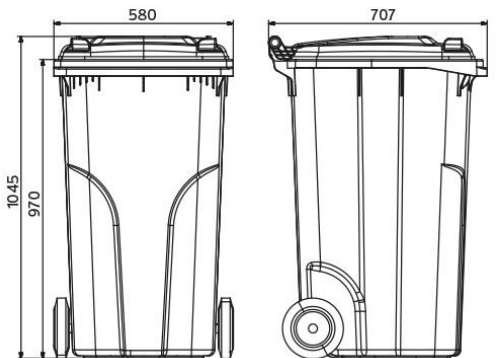


Plastic container – 240 l
TYPE: 0005



Illustrational photograph



TECHNICAL DATA

Material	Plastic (HDPE)
Capacity	240 l
Weight	11,5 kg (± 5 %)
Max. weight	110 kg (± 5 %)
Load capacity	96 kg (± 5 %)
Wheel diameter	200 mm
Dimensions (W x D x H)	580 x 707 x 1045 mm

ATTRIBUTES

- Made of 100 % recyclable plastic high-density polyethylene (HDPE).
- Standardly delivered with two rubber wheels with plastic centres with 200 mm diameter.
- Wheels are supplied with metal axle.
- Manufactured in accordance of EN 840 regulation and certified according to RAL-GZ 951/1.
- Resistant to UV radiation, chemical and biological impacts or to frost.
- Smooth surfaces help against sticking of waste on them.
- Production materials does not contain any cadmium and can be granulated again.

COLOUR VARIATIONS

0005-1 (Blue RAL 5003), 0005-2 (Green RAL-6002), 0005-3 (Black RAL-7016), 0005-4 (Yellow RAL-1018), 0005-5 (Brown RAL 8028), 0005-6 (Red RAL-3013).

PRODUCT PURPOSE

Product is designed as collection container for municipal waste separation.

ADDITIONS

Not suitable for storing of hot ash.
Production material is recyclable.
Material does not contain cadmium.
Thermoprinted logo.

