

PRODUCT No. 4855

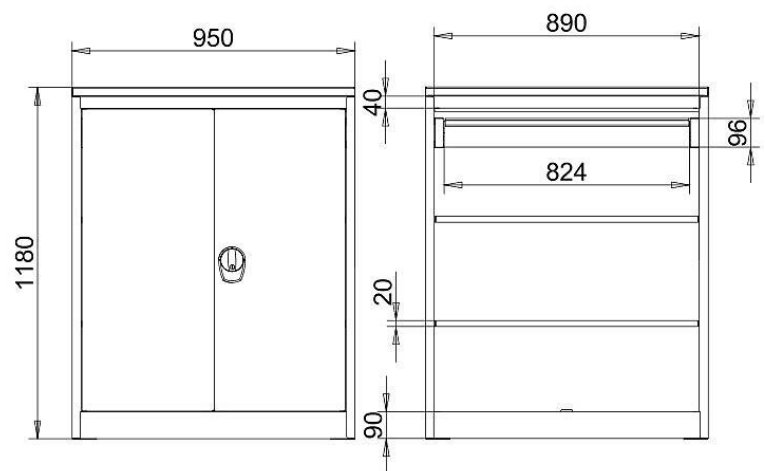
Hanging workshop cabinet with drawers



(Illustrative photograph)

Technical data

Material	Steel
Weight (approx.)	96,4 kg
Load capacity (shelf/drawer/body)	100 / 50 / 800 kg
No. of shelves	2 pcs
No. of drawers	1 pc
Width	950 mm
Depth	600 mm
Height	1180 mm



Attributes

- Made of steel sheet.
- Holders and tools are not part of perforated equipment.
- Shelves are adjustable by 25 mm.
- Drawers are provided by 80% of its slide. Drawer front panels permit insertion of a description bar.
- Equipped with expandable cylindrical lock.
- Suspense surface is equipped with rubber mat.
- The height of the cabinet enables for usage of upper surface to suspend or as working surface.

Color variations

- Body / doors – grey (RAL 7035) / blue (RAL 5012).

Product purpose

- Designed for storing of workshop equipment.