

PRODUCT No. 0021-5 BIO

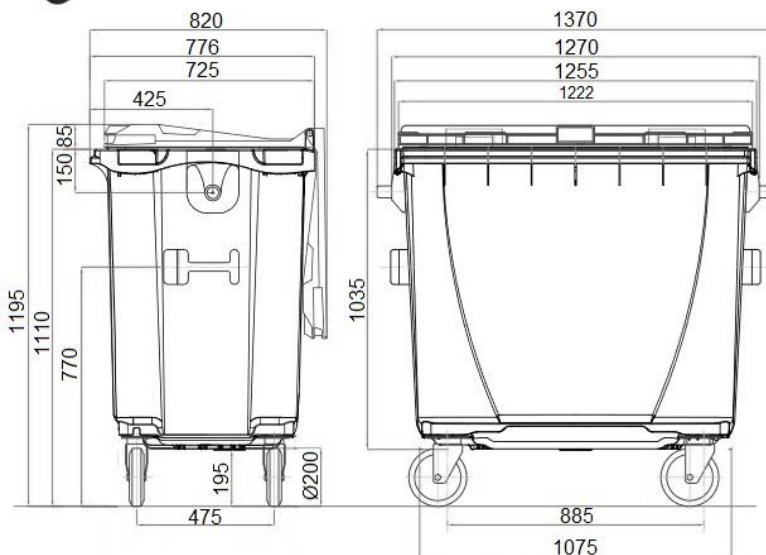
Plastic container – 660 l – Flat lid - BIO



(Illustration photograph)

Technical data

Material	Plastic (HDPE)
Capacity	660 l
Weight	36,5 kg (+/- 5%)
Load capacity	273,5 kg (+/- 5%)
Max. weight	310 kg (+/- 5%)
Wheel diameter (2x brakes)	200 mm
Width	1370 mm
Depth (max.)	776 (820) mm
Height	1195 mm



Attributes

- Made of Polyethylene with high density (HDPE).
- For collection of biowaste.
- Standardly delivered with two brakes on two wheels – wheel diameter is 200 mm.
- Can be delivered in version equipped with central brake.
- Maximal load capacity – 310 kg.
- In agreement with EN 840 certification.
- Resistant to UV radiation, chemical and biological impacts and frost.
- Smooth surfaces helps against sticking of waste on them. Equipped with air vents.
- Manufacture materials doesn't contain any cadmium and can be granulated again.

Color variations

- 0021-5 BIO (Brown RAL-8028)

Product purpose

- Designed for collecting of biowaste.