

## PRODUCT No. 7182

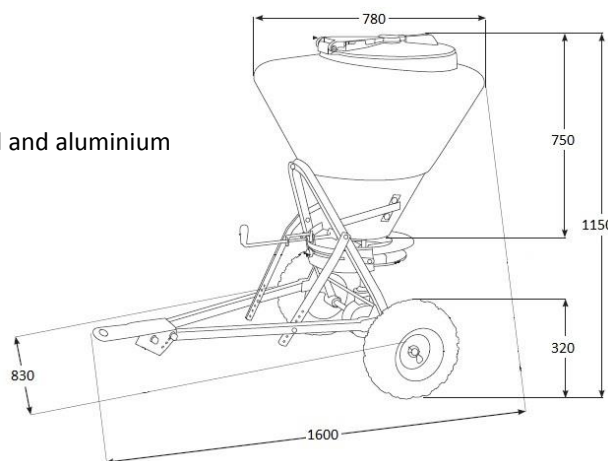
### Gritting truck – 130 l – towed (SW 130)



(Illustrative photograph)

#### Technical data

Material (Container/frame)	Polyethylene (PE)/stainless steel and aluminium
Weight (approx.)	39 kg
Capacity	130 l
Gritting (level)	10 levels
Gritting width	up to 5 m
Width	830 mm
Length	1600 mm
Height	1150 mm



#### Attributes

- The container is made of plastic (PE) and the axle of stainless steel.
- Suitable for large private and commercial areas.
- The hopper is equipped with a robust snap-on lid.
- The container is for 130 l of material.
- Equipped with rubber tyres.
- Possibility of regulation of quantity and width together with possibility to adjust the drawbar height.
- The amount and direction of the spreading material can be adjusted.
- Max. speed – 6 kmph.
- Spreading width up to 5 m (according to travel speed).

#### Product purpose

- Designed for application of various spreading materials on medium and large areas.

#### Additions

- Simple and quick to assemble and connect.