

## PRODUCT No. 8701

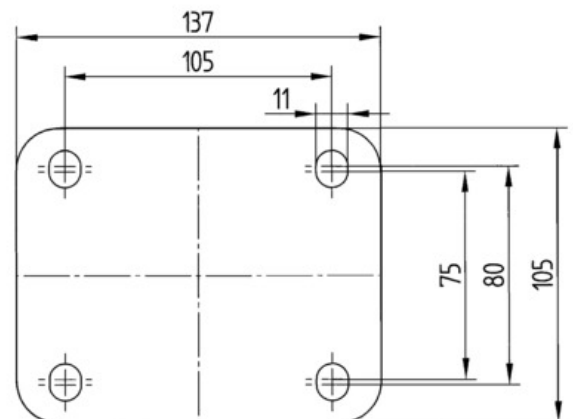
### Container wheel – without brake



(Illustrative photograph)

#### Technical data

Material	Galvanized steel/PP/rubber
Type	Turnable – without brake
Bearing	Sliding
Weight	2,8 kg
Load capacity (dynamic/static)	160 / 320 kg
Temperature resistance	-20/+60 °C
Thread width	50 mm
Wheel diameter	200 mm
Plate holes centres	80/77 x 105 mm
Plate size	137 x 105 mm
Height (total)	240 mm
Plate hole diameter	11 mm



#### Attributes

- Made of pressed galvanized steel – forks. Wheel centre is made of polypropylene. Thread is made of rubber.
- Reinforced steel fork in galvanized surface finishing.
- Wheels are suitable for plastic containers.
- In accordance with EN 12532 regulation – Pulleys and wheels for speeds up to 4 km/h.

#### Product purpose

- Designed as transportation wheel.

#### Additions

- Offered in different versions – turnable and turnable with brake.