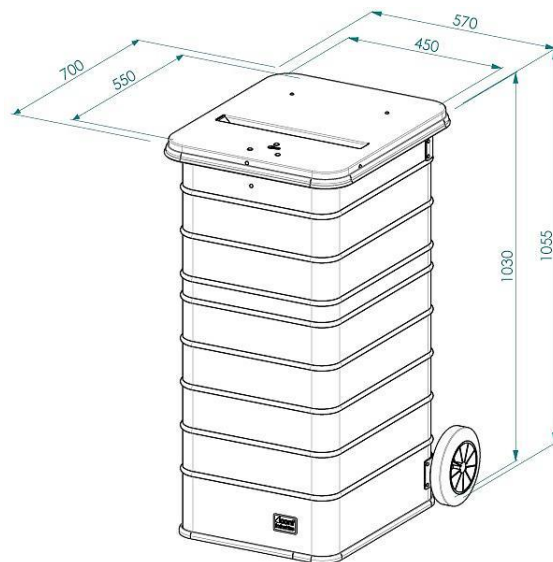


PRODUCT No. 7281

Container for shredding – 240 l



(Illustrative photograph)

Technical data

Material	Aluminium
Capacity	240 l
Weight	12 kg
Load capacity	approx. 80 kg
Width (inner/outer)	450 / 570 mm
Depth (inner/outer)	550 / 700 mm
Height (inner/outer)	1030 / 1055 mm

Attributes

- Aluminium container reinforced with ribs have high strength and stability.
- For easy handling, the container is equipped with two wheels with a diameter of 200 mm.
- Equipped with lid which is hinged from one side and the other side is lockable by locking lever.
- To the opening in the lid of 420 x 40 mm size is possible to insert documents without opening the lid.

Product purpose

- Designed to safely store documents and data racks for subsequent shredding.