

PRODUCT No. 7288

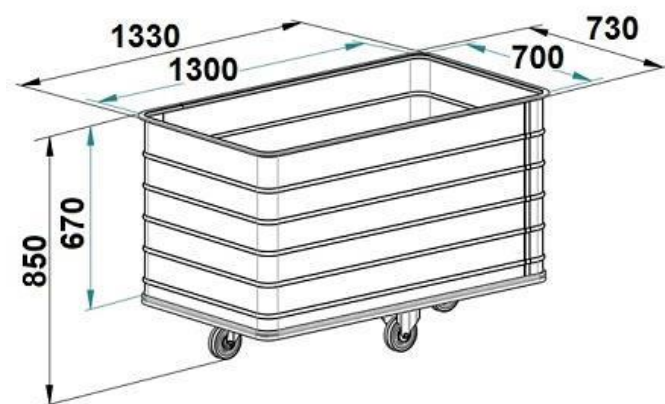
Aluminium truck for manipulation – full walls



(Illustrative photograph)

Technical data

Material	Aluminium
Capacity	610 l
Weight	25 kg
Wheels (diameter)	125 mm
Length (inner/outer)	1300 / 1330 mm
Width (inner/outer)	700 / 730 mm
Height (inner/outer)	670 / 850 mm



Attributes

- Made of aluminium.
- Light aluminium design reinforced with longitudinal bulges.
- Castors for easy handling and manoeuvrability.
- Used for transport and manipulation with light and bulky material, parts or waste.

Product purpose

- Designed for transportation and manipulation of light and bulky material.

Additions

- Possible to be delivered in full or perforated design.
- Possible to be delivered with two possible wheel positions: Standard A, custom B.

POSITION

