

PRODUCT No. 7290

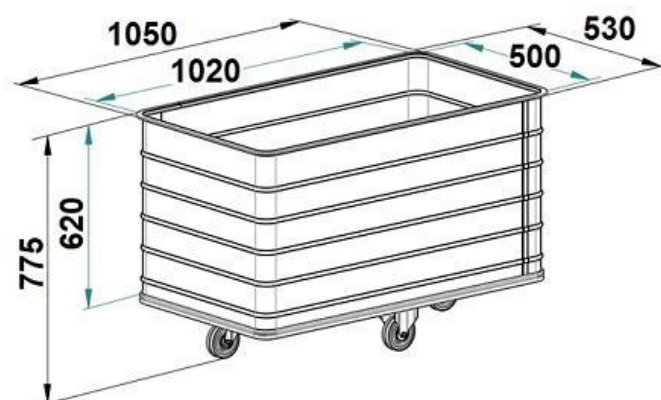
Aluminium truck for manipulation – full walls



(Illustrative photograph)

### Technical data

Material	Aluminium
Capacity	316 l
Weight	17 kg
Wheels (diameter)	100 mm
Length (inner/outer)	1020 / 1050 mm
Width (inner/outer)	500 / 530 mm
Height (inner/outer)	620 / 775 mm



### Attributes

- Made of aluminium.
- Light aluminium design reinforced with longitudinal bulges.
- Castors for easy handling and manoeuvrability.
- Used for transport and manipulation with light and bulky material, parts or waste.

### Product purpose

- Designed for transportation and manipulation of light and bulky material.

### Additions

- Possible to be delivered in full or perforated design.
- Possible to be delivered with two possible wheel positions: Standard A, custom B.

**POSITION**

