

PRODUCT No. 7292

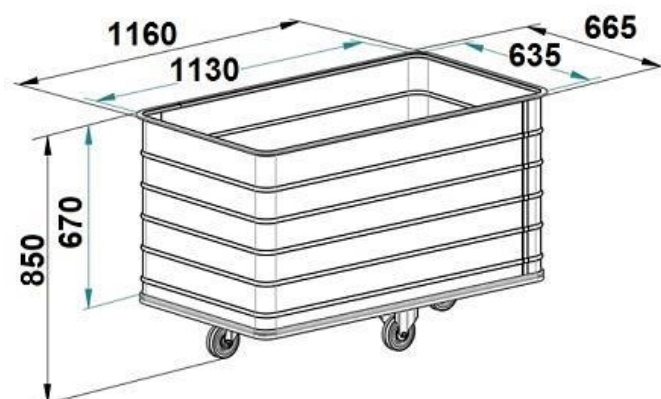
Aluminium truck for manipulation – perforated walls



(Illustrative photograph)

Technical data

Material	Aluminium
Capacity	480 l
Weight	20 kg
Wheels (diameter)	125 mm
Length (inner/outer)	1130 / 1160 mm
Width (inner/outer)	635 / 665 mm
Height (inner/outer)	670 / 850 mm



Attributes

- Made of aluminium.
- Light aluminium design reinforced with longitudinal bulges.
- Castors for easy handling and manoeuvrability.
- Used for transport and manipulation with light and bulky material, parts or waste.

Product purpose

- Designed for transportation and manipulation of light and bulky material.

Additions

- Possible to be delivered in full or perforated design.
- Possible to be delivered with two possible wheel positions: Standard A, custom B.

POSITION

