

PRODUCT No. 3768-1

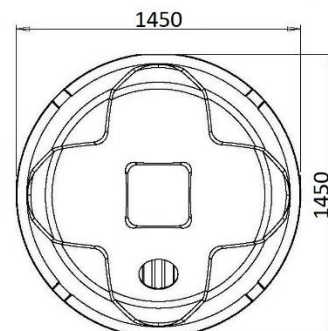
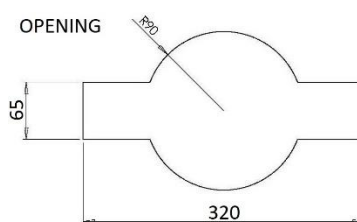
Polyethylene container with bottom dump – 1,5 m³ – Paper



(Illustration photograph)

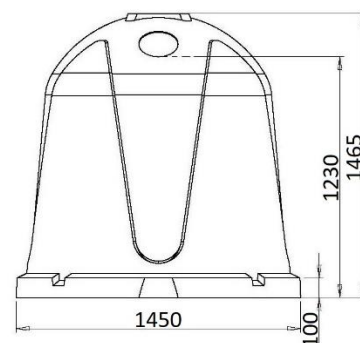
Technical data

Material	Polyethylene (PE)
Capacity	1,5 m ³
Weight (approx.)	80 kg
Load capacity (approx.)	438 kg
Noise level	87 dB
Diameter	1450 mm
Height	1465 mm



Attributes

- Made of high-quality Polyethylene by rotary moulding method.
- Equipped with a mechanism of emptying - with the arm loader.
- Equipped with a bottom dump mechanism – double hook system.
- Resistant to mechanical damage, weather influences.
- Containers are color-stable, UV stable.
- Containers are designed for collection of separated waste.
- Containers are color-coded by the type of waste.
- Minimal surface porosity ensures easy cleaning of the container.
- Openings are adjusted for the type of collected waste.



Color variations

- Blue version – collection of paper.

Product purpose

- Designed for separated waste collection – the blue version is designed for paper collection.