

### PRODUCT No. 3769-7

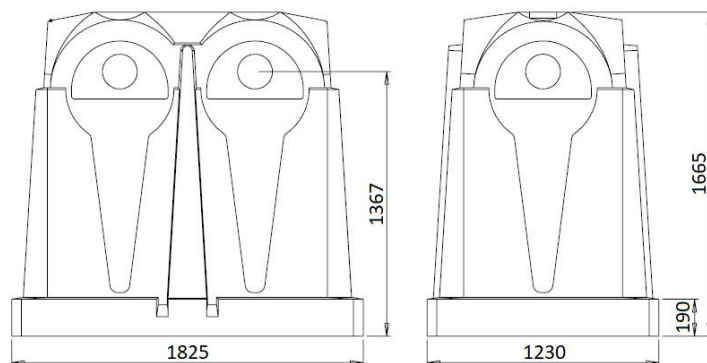
### Polyethylene container with bottom dump – 2,5 m<sup>3</sup> – White glass



(Illustration photograph)

#### Technical data

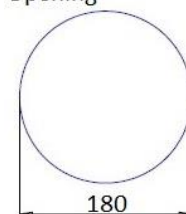
|                         |                    |
|-------------------------|--------------------|
| Material                | Polyethylene (PE)  |
| Capacity                | 2,5 m <sup>3</sup> |
| Weight (approx.)        | 120 kg             |
| Load capacity (approx.) | 624 kg             |
| Noise level             | 87 dB              |
| Width                   | 1825 mm            |
| Depth                   | 1230 mm            |
| Height                  | 1665 mm            |



#### Attributes

- Made of high-quality Polyethylene by rotary moulding method.
- Equipped with a mechanism of emptying - with the arm loader.
- Equipped with bottom dump mechanism, double-part bottom - double hook system.
- Resistant to mechanical damage, weather influences and because of it's base it is resistant against turning over.
- Containers are color-stable, UV stable.
- Containers are designed for collection of separated waste.
- Containers are color-coded by the type of waste.
- Minimal surface porosity ensures easy cleaning of the container
- Openings are adjusted for the type of collected waste.

Opening



#### Color variations

- White version – collection of white glass.

#### Product purpose

- Designed for separated waste collection – the white version is designed for white glass collection.