

PRODUCT No. 3770-2

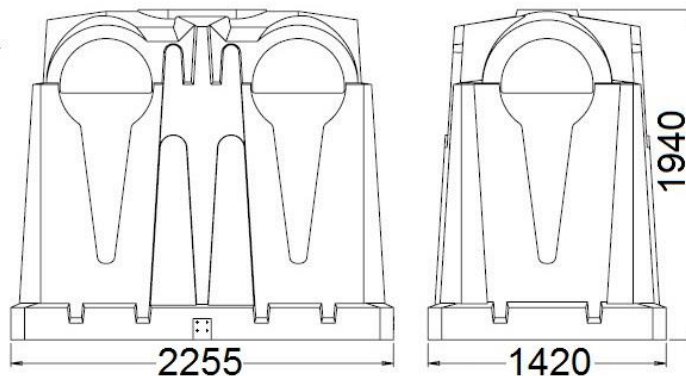
Polyethylene container with bottom dump – 3,5 m³ – Colored glass



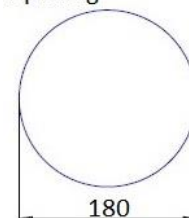
(Illustration photograph)

Technical data

Material	Polyethylene (PE)
Capacity	3,5 m ³
Weight (approx.)	160 kg
Load capacity (approx.)	1071 kg
Opening (quantity)	4
Noise level	87 dB
Width	2255 mm
Depth	1420 mm
Height	1940 mm



Opening



Attributes

- Made of high-quality Polyethylene by rotary moulding method.
- Equipped with a mechanism of emptying - with the arm loader.
- Equipped with bottom dump mechanism, double-part bottom - double hook system.
- Resistant to mechanical damage, weather influences and because of it's base it is resistant against turning over.
- Containers are color-stable, UV stable.
- Containers are designed for collection of separated waste.
- Containers are color-coded by the type of waste.
- Minimal surface porosity ensures easy cleaning of the container
- Openings are adjusted for the type of collected waste.

Color variations

- Green version – collection of colored glass.

Product purpose

- Designed for separated waste collection – the green version is designed for colored glass collection.