

PRODUCT No. 7373

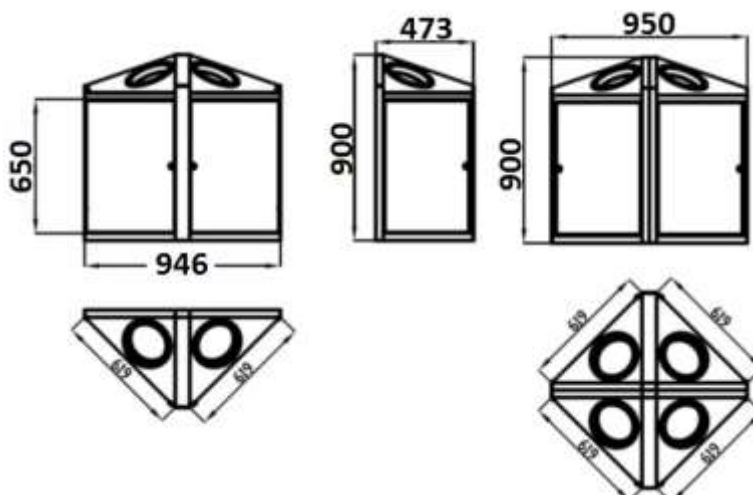
Double-chamber bin – blue and yellow



(Illustrative photograph)

Technical data

Material	Steel sheet
Material thickness	1 mm
Capacity	2x 75 l
Weight	22,1 kg
Opening	2x
Opening diameter	195 mm
Opening colors	Blue/yellow
Width	950 mm
Depth	473 mm
Height	900 mm



Attributes

- Made of 1 mm thick steel sheet.
- Equipped with lockable doors – locking by triangle lock.
- Plastic bags are placed inside the sections and hung on the removable inner hoops made of 8 mm diameter wire.
- The bin can only be used with embedded bags.
- Two double-chamber bins can be connected to each other's „back“ to create a four-chamber bin – connection with screws and nuts.
- Recommended bag size – 550 x 1000 mm.

Color variations

- Housing/openings – Gray (RAL 7035) / Blue-Yellow.

Product purpose

- Designed for waste sorting in the interior spaces.

Additions

- Bag can be ordered – type 5030.